



فرست اوتوماشن

# Plugs & Sockets

Series CZ0252



## Prodcuts Features

- Self-cleaning inserting sleeve, low transmission resistance.
- Protective covers ensure high degree of protection.
- Small force of inserting and pulling.
- IECEx International Approval, ATEX European union certification.





فرست اوتوماشن

# Plugs & Sockets

Series CZ0252



## Product Parameter

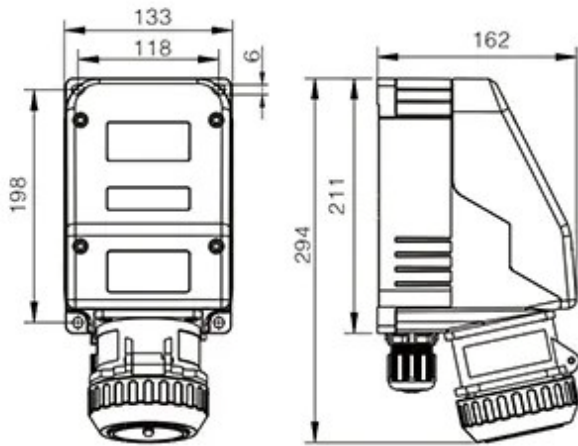
|                                   |  |
|-----------------------------------|--|
| <b>Product type:</b>              | Full plastic Explosion-proof plugs and sockets                               |
| <b>Certification:</b>             | CCC IECEX ATEX   |
| <b>Application range (zones):</b> | 2G/Gb/zone 1; 2D/Db/zone 21  |
| <b>Min.ambient temperature:</b>   | -40°C  |
| <b>Max.ambient temperature:</b>   | +55°C  |
| <b>Degree of protection:</b>      | IP66 ( Panel type socket, coupler type socket )<br>IP65 ( Wall type socket ) |
| <b>Rated voltage:</b>             | 4 poles — max 690V AC 50/60Hz<br>5 poles — max 415V AC 50/60Hz               |
| <b>Rated current:</b>             | 32A  |
| <b>Material of enclosure:</b>     | Alloy plastic of static resistance GRP                                       |



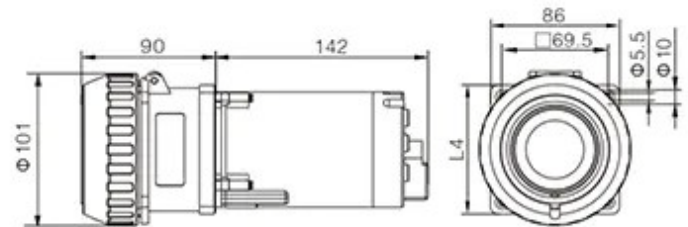
فرست اوتوماشن

# Plugs & Sockets

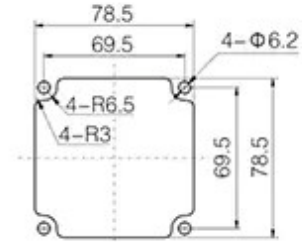
Series CZ0252



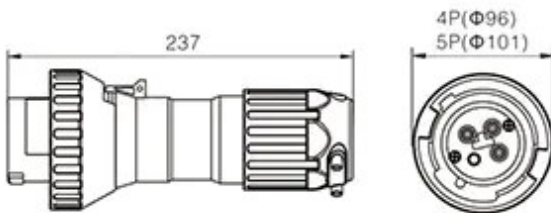
Wall type socket



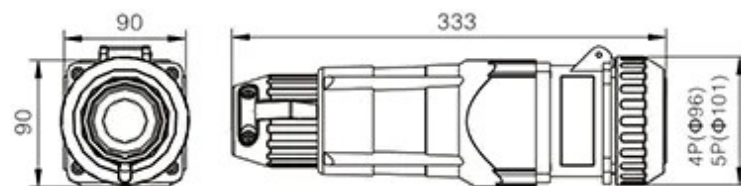
Panel type socket



Installation dimensions of panel type socket



Plug



Coupler type socket





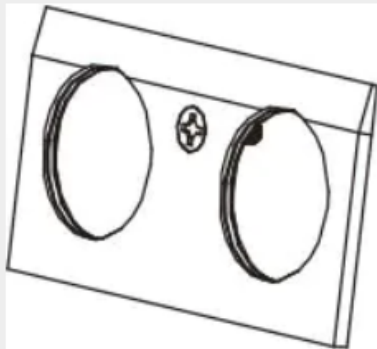
فرست اوتوماشن

# Plugs & Sockets

Series CZ0252



## Accessories



Brass connecting board,  
to be used together with  
metal cable glands

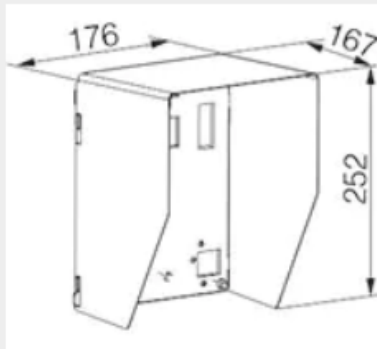
2-M25×1.5

Use for CZ0251-16A-2P, 3P

2-M25×1.5

Use for CZ0251-16A-4P, 5P

8035



Wall type stainless steel canopy

4038/12P



Protective cover for plug

Use for CZ0251-16A-2P, 3P

Use for CZ0251-16A-4P

Use for CZ0251-16A-5P

CZ8000-8034