



فرست اوتوماشن

Light Fittings

Series CZ0871



Products Features

- The highest class of flameproof is up to IIC.
- The four patented technologies were obtained.
- It is convenient to be mounted and maintained.
- The degree of protection is up to IP66.
- International IECEx Approval, Europe union ATEX Approval.

Product Parameter

Product type:	Explosion-proof light fittings
Certification:	CCC IECEX ATEX
Application range (zones):	2G/Gb/zone 1; 2D/Db/zone 21
Min.ambient temperature:	-40°C
Max.ambient temperature:	+55°C
Degree of protection:	IP66
Rated voltage:	220V AC 50Hz 220V AC, 230V AC, 240V AC 50Hz, 60Hz



فرست اوتوماشن

Light Fittings

Series CZ0871



Contact

info@first-automation.com.eg/ • 01101619222 – 01100200886 • <https://first-automation.com.eg/>



فرست اوتوماشن

Light Fittings

Series CZ0871



It is easier to be wired by cage type terminal which is certified internationally.



It is safer for the interlock switch to be switched off automatically after the light fitting is uncovered.



The light fitting can be equipped with the lamp shade as request.



The stainless steel mesh can be equipped as per the request



It is more convenient to be installed and maintained due to the design of ferrule suspension hook type, between the glass cover and the light fitting body;



The wall type have many positions with 45° rotation.



Chain type



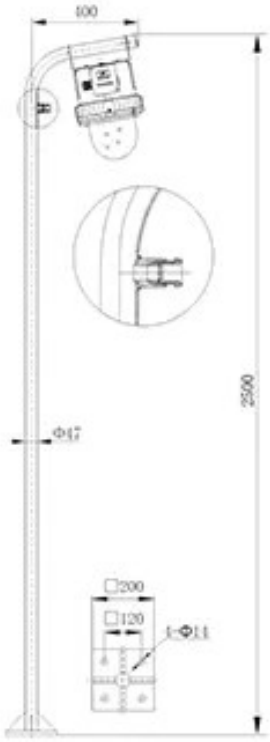
The bracket type is easier and safer to be mounted.



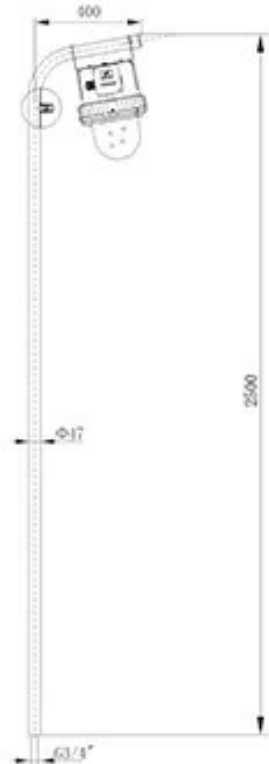
فرست اوتوماشن

Light Fittings

Series CZ0871



法兰式安装



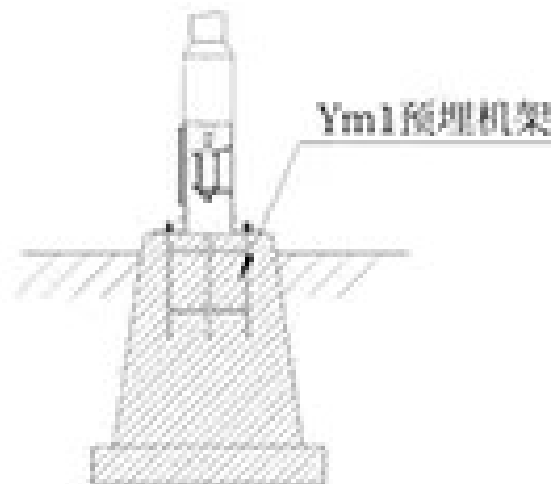
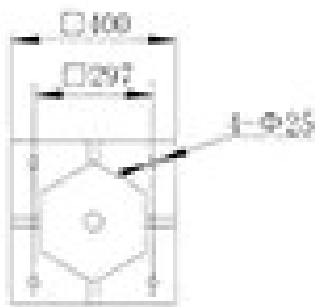
护栏式安装



单臂马路灯杆



双臂马路灯杆

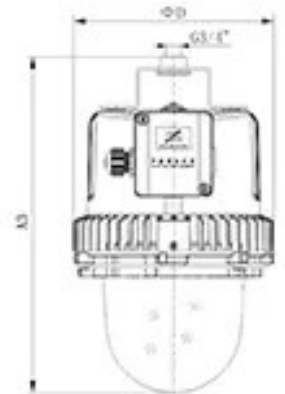
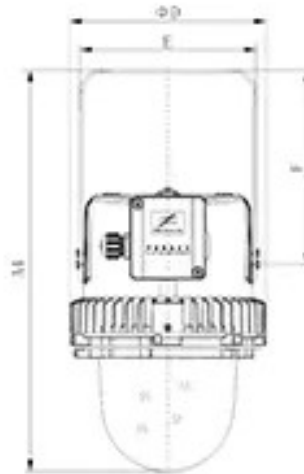
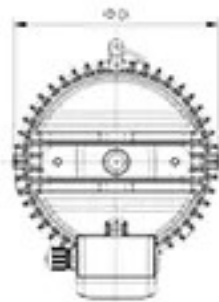
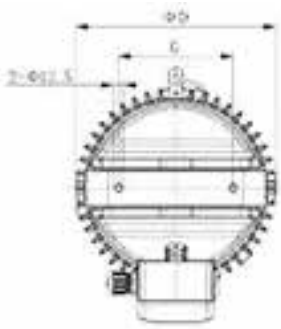
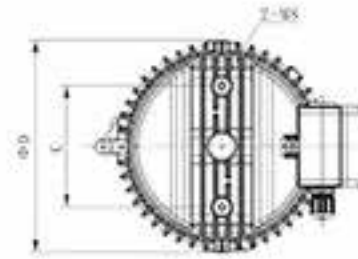
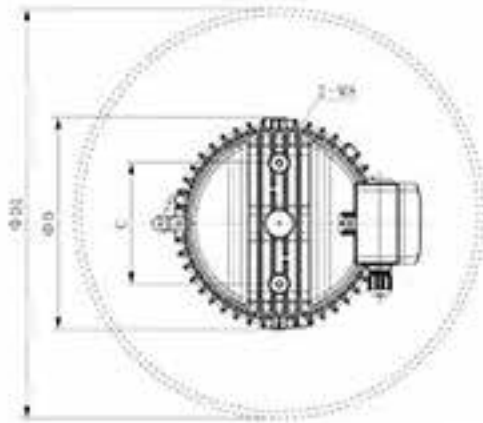
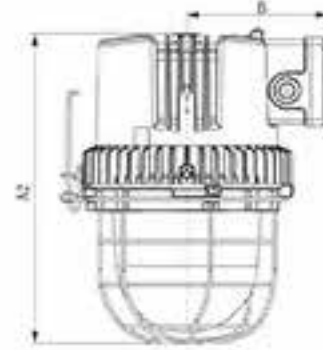
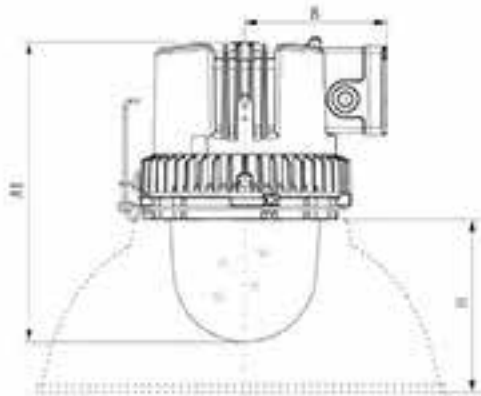




فرست اوتوماشن

Light Fittings

Series CZ0871



單位: mm

型号	A1	A2	A3	A4	B	C	ΦD	ΦD ₁	E	F	G	H
CZ0871	350	360	410	500	165	140	245	475	220	245	140	300
CZ0872	500	510	560	660	190	160	300	685	268	280	160	260



فرست اوتوماشن

Light Fittings

Series CZ0871



图样	订购号	图样	订购号
 <p>CZ0871</p>	CZ0871/2B-JN45W57-□-B+□	 <p>CZ0872</p>	CZ0872/2B-QL135W57-□-B+□
	CZ0871/2B-JN65W57-□-B+□		CZ0872/2B-QL165W57-□-B+□
	CZ0871/2B-QL50W57-□-B+□		CZ0872/2B-B500W25-□-B+□
	CZ0871/2B-QL85W57-□-B+□		CZ0872/2B-Z500W25-□-B+□
	CZ0871/2B-B200W25-□-B+□		CZ0872/2B-J250W25-□-B+□
	CZ0871/2B-B300W25-□-B+□		CZ0872/2B-J400W25-□-B+□
	CZ0871/2B-Z125W25-□-B+□		CZ0872/2B-N150W25-□-B+□
	CZ0871/2B-Z160W25-□-B+□		CZ0872/2B-N250W25-□-B+□
	CZ0871/2B-G125W25-□-B+□		CZ0872/2B-N400W25-□-B+□
	CZ0871/2B-J70W25-□-B+□		
	CZ0871/2B-J100W25-□-B+□		
	CZ0871/2B-J150W25-□-B+□		
	CZ0871/2B-N70W25-□-B+□		
	CZ0871/2B-N100W25-□-B+□		



فرست اوتوماشن

Light Fittings

Series CZ0871



Optional Ex components



| CZ0220 Series Plastic stopping plugs, the reducer



| CZ0221 Metal cable glands



| CZ0220 Series Plastic cable glands, stopping plugs



| CZ0226 Increased safety cable glands



| CZ0527, CZ1725/27 Increased safety breathing, drainage valve



| CZ0227 Increased safety metal cable glands



| CZ1725/1C Metal cable glands



| CZ1725/2A Metal cable glands



| CZ1725/3A Metal stopping plug



| CZ1725/1A Metal cable glands



| CZ1725/4A The reducer



| CZ1725/1B Metal cable glands



فرست اوتوماشن

Light Fittings

Series CZ0871



Accessories



D8701/1, D8701/2

Mounting bracket

D8701/1: Used for CZ0871 light fittings, the material is high quality steel with sprayed plastic surface

D8701/2: Used for CZ0872 light fittings, the material is high quality steel with sprayed plastic surface



D623

Chain type accessories

For M8 lifting eye bolt, the material is high quality steel with galvanization on surface



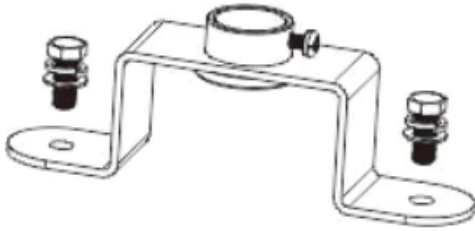
فرست اوتوماشن

Light Fittings

Series CZ0871



Accessories

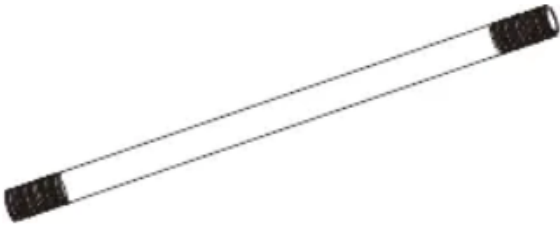


D8702/1, D8702/2

Mounting bracket of pendant type

D8702/1: Used for CZ0871 light fittings, the material is high quality steel with sprayed plastic surface

D8702/2: Used for CZ0872 light fittings, the material is high quality steel with sprayed plastic surface



D732

G3/4" Straight pipe

For pendant type light fittings



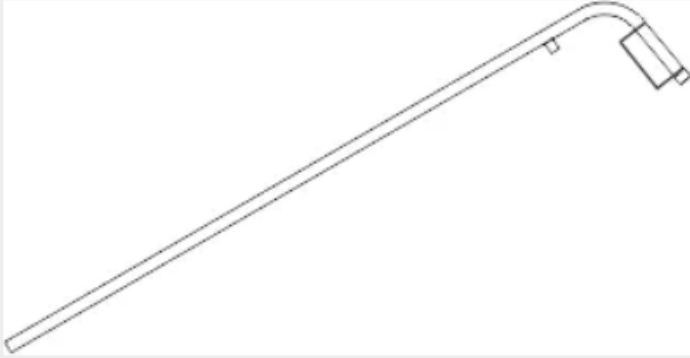
فرست اوتوماشن

Light Fittings

Series CZ0871



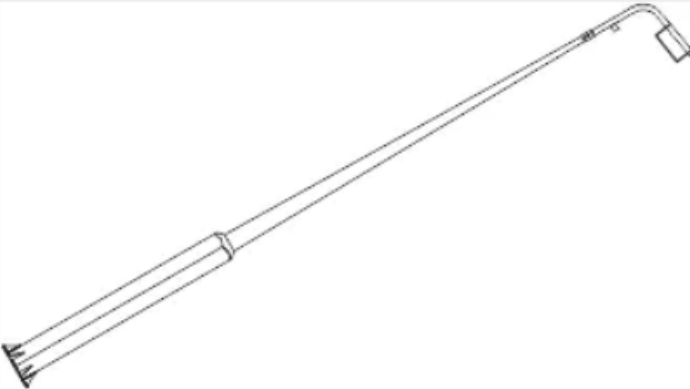
Accessories



D8705

Lamp pole of
fence type

Used for CZ0871, CZ0872, material is high quality galvanized steel, with the surface sprayed plastic.



D8707

Lamp pole of single arm
street light

Used for CZ0871, CZ0872, material is high quality galvanized steel, with the surface sprayed plastic.



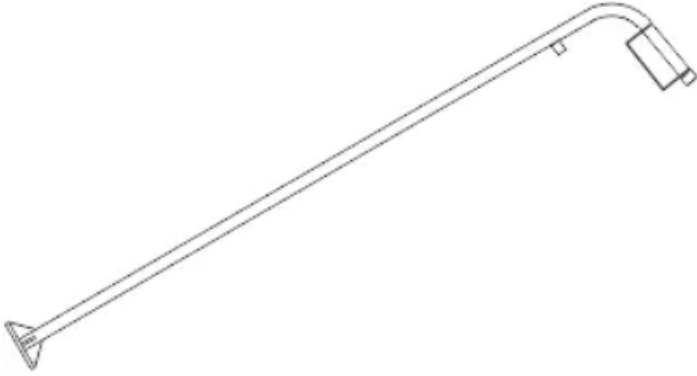
فرست اوتوماشن

Light Fittings

Series CZ0871



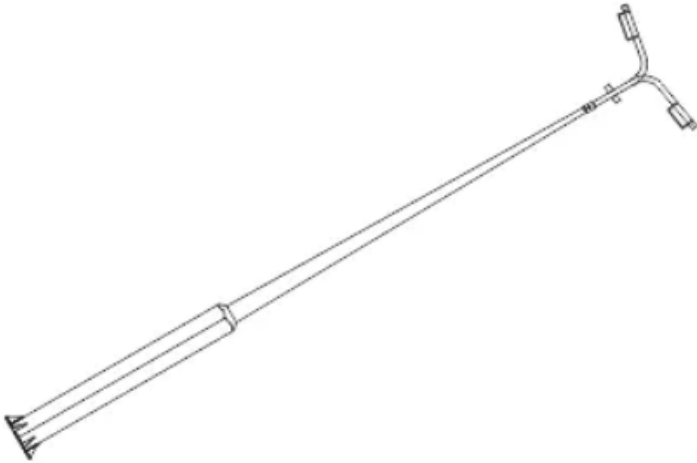
Accessories



D8706

Lamp pole of flange type

Used for CZ0871, CZ0872, material is high quality galvanized steel, with the surface sprayed plastic.



D8708

Lamp pole of double arms
street light

Used for CZ0871, CZ0872, material is high quality galvanized steel, with the surface sprayed plastic.



فرست اوتوماشن

Light Fittings

Series CZ0871



Accessories



D8720

Flexible conduit

Used for connecting the lamp poles and the light fittings



D8704/1, D8704/2

Mesh

D8704/1: Used for CZ0871 light fittings, the material is stainless steel

D8704/2: Used for CZ0872 light fittings, the material is stainless steel



فرست اوتوماشن

Light Fittings

Series CZ0871



Accessories



D8703/1, D8703/2

Parts of toughen
glass cover

D8703/1: Used for CZ0871 light fittings, with
stainless steel ringer

D8703/2: Used for CZ0872 light fittings, with
stainless steel ringer



D8724/1, D8724/2

lamp shade

D8724/1: Used for CZ0871 light fittings

D8724/2: Used for CZ0872 light fittings



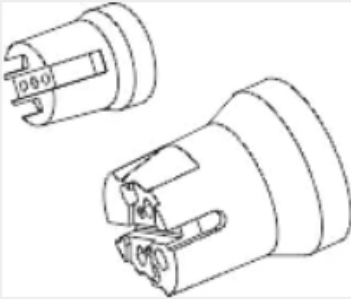
فرست اوتوماشن

Light Fittings

Series CZ0871



Accessories



K547H, K548

Ceramics lampholder

K547H: Specification:E27

K548: Specification:E40



HWL/125W, HWL/160W, HWL/250W,
HWL/500W

Self-ballasted mercury
vapor lamp blub-Z



فرست اوتوماشن

Light Fittings

Series CZ0871

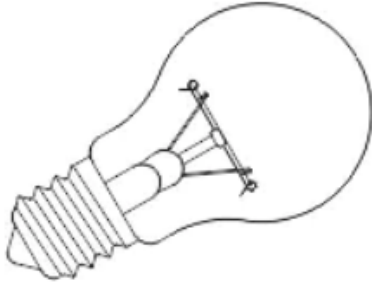


Accessories



OSRAM/45W, OSRAM/65W

"OSRAM"
energy-saving
lamp bulb
(Helix type)



PZ/200W, PZ/300W, PZ/500W

Incandescent lamp
blub-B



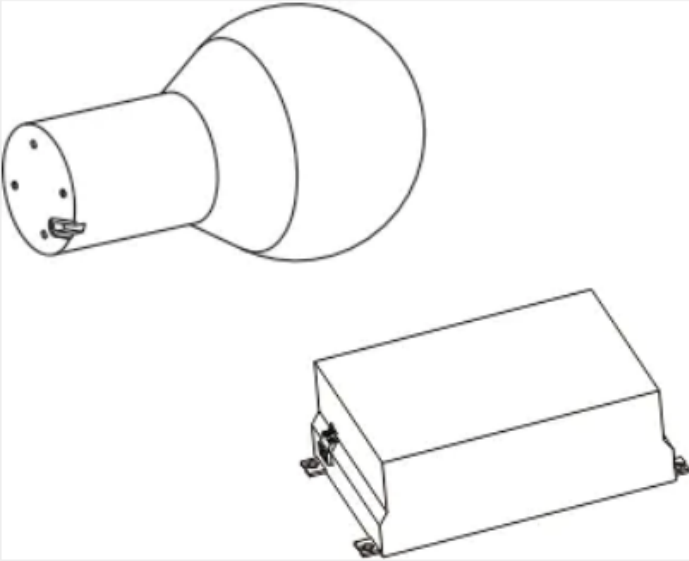
فرست اوتوماشن

Light Fittings

Series CZ0871



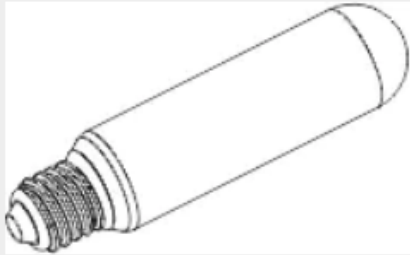
Accessories



Electromagnetic induction
energy-saving lamp bulb

High frequency generator

WJ50T, WJ85P, WJ135PA, WJ165PA, HFG-
50AC, HFG-85AC, HFG-135AC, HFG-165AC



High pressure sodium
vapor lamp bulb-N

NAV-T 70, NAV-T 100SUPER,
NAV-T 150, NAV-T 250, NAV-T 400



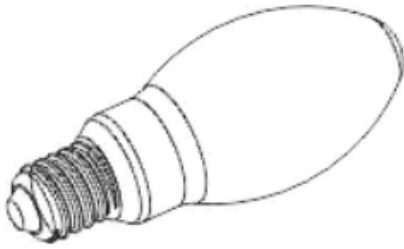
فرست اوتوماشن

Light Fittings

Series CZ0871

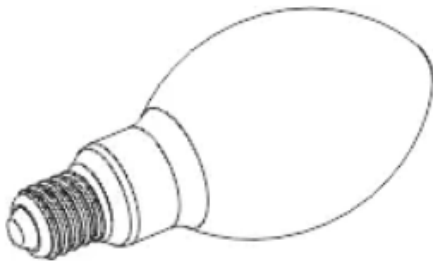


Accessories



JL Z50KN, HQI-E 70/N,
HQI-E 100/N, HQI-E 150/N,
HQI-T 250/D, HQI-BT 400/D

Metal halide lamp
bulb-J



HQL-125

High pressure mercury
vapor lamp bulb-G