



Buzzers

Series CZ1208/2-9



Products Features

- Buzzers are available in flash or non-flash types.
- Flash types have different flash colors for options.
- Sound pressure is 60Db at 30cm.
- IECEx International Certification, ATEX European Approval.

Product Parameter

Product type:	CZ1208/2-□9□ Explosion-proof (flash) buzzer for panel mounting
Certification:	CCC IECEx ATEX
Application range (zones):	2G/Gb/zone 1; 2D/Db/zone 21
Min.ambient temperature:	-40°C
Max.ambient temperature:	+45°C
Degree of protection:	IP66
Rated voltage:	AC/DC10-28V, AC/DC20-250V
Rated Frequency:	50/60Hz
Sound pressure level:	60dB (at 30cm)
Connection Type:	Terminals 2.5mm ²
Material:	polyamide
Cable entry outer diameter:	Φ5.5 ~ 13mm

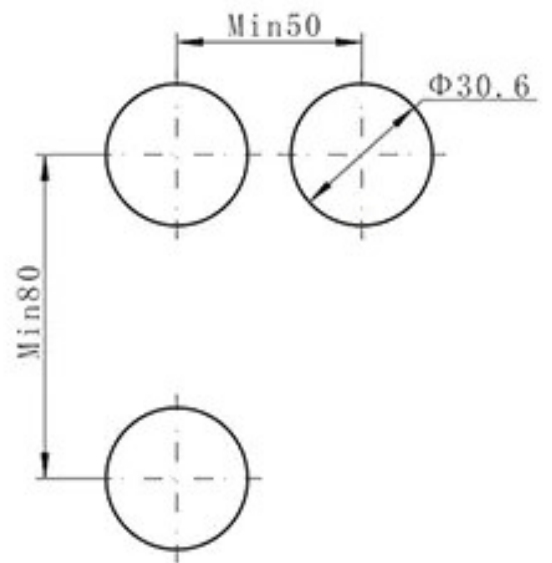
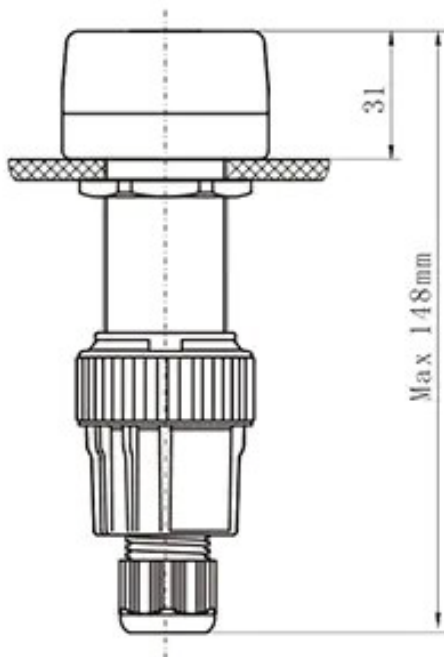
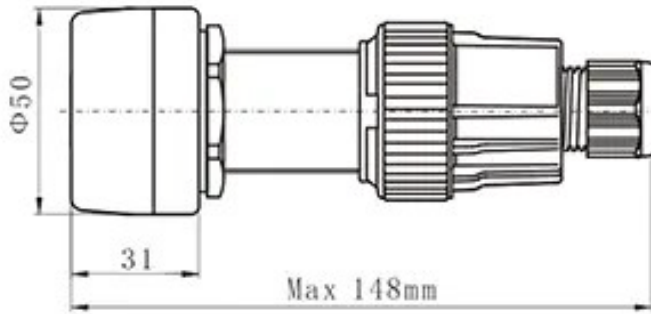




فرست اوتوماشن

Buzzers

Series CZ1208/2-9



Mounting pitches





فرست اوتوماشن

Buzzers

Series CZ1208/2-9



图 样	订购号
	CZ1208/2-R90
	CZ1208/2-R91
	CZ1208/2-B90
	CZ1208/2-B91