



Light Switch

Series CZ2000-1-BG7



Products Features

- CZ2000/1-BA7 Switch modules have 2P or 4P for options, can be used together with 11 different operation heads (pushbuttons, switches, key operated switches, E-stop pushbuttons).
- CZ2000/1-BB7 control switch module, available in 2P~12P control functions.
- CZ2000/1-BD7 Signal lamp module, LED light source, four voltage ratings, five colors in red, green, yellow, white, blue are available.
- CZ2000/1-BG7 Light-control switch module, can be applied to Ex d or Ex e enclosure.
- CZ2000/1-BP7 Flameproof potentiometer module, 100Ω~2MΩ, Max 0.1W.
- CZ2000/1-B□ switch handle, to operate the switch modules 63A, 100A, 250A, 400A, 630A from the front. or to operate the switch modules 100A, 250A from the side.
- CZ2000/1-BW7 observation window for instruments φ64mm, φ89mm.
- CZ2000/1-BI7 observation and operation window for instruments, window have four sizes.
- CZ2000/2A Flameproof cable bushing, thread size M16 to M80, conductor size 0.5mm²-120mm².
- CZ2000/2B Flameproof cable bushing, thread M50, conductor size 0.5mm²-120mm², to be used for the connection of two Ex d enclosures.
- CZ2000/3 Flameproof binding pillar, thread M42, wiring capacity 50mm²-240mm².
- International IECEx approval, European union ATEX certifications (U).
- Accessories: special spanner, label, safety latch.



فرست اوتوماشن

Light Switch

Series CZ2000-1-BG7



Product Parameter

| | |
|-----------------------------------|--|
| Product type: | Exd flameproof light-control switch module |
| Certification: | IECEX ATEX |
| Application range (zones): | 2G/Gb/zone 1; 2Db/Db/zone 21 |
| Min.ambient temperature: | -55°C |
| Max.ambient temperature: | +60°C |
| Min.service temperature: | -55°C |
| Max.service temperature: | +80°C |
| Degree of protection: | IP66 |
| Rated voltage/frequency: | 100~250V AC 50/60Hz |
| Rated current: | Max 10A |
| Material of enclosure: | aluminum-alloy |





فرست اوتوماشن

Light Switch

Series CZ2000-1-BG7



Illustration



Order No.

CZ2000/1-BG7-05

Contact

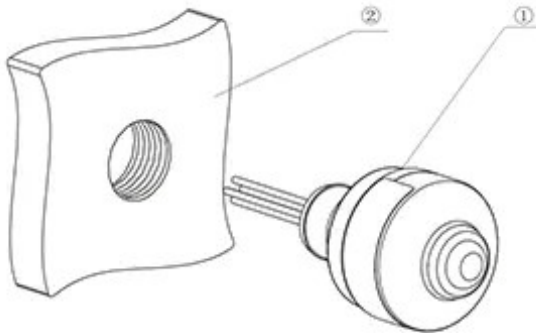
info@first-automation.com.eg/ • 01101619222 – 01100200886 • <https://first-automation.com.eg/>



فرست اوتوماشن

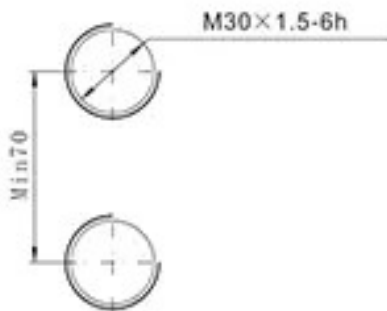
Light Switch

Series CZ2000-1-BG7

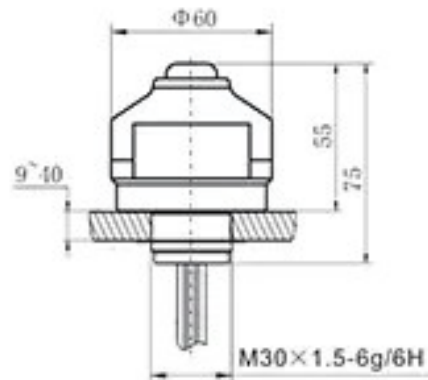


- ① CZ2000/1-BW70 Ex d Flameproof light-control switch module
- ② Ex d box/Ex e box

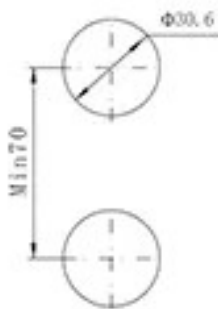
Outline dimensions



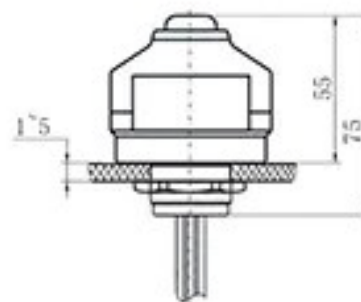
Mounting pitches:



Installation diagram for Ex d boxes



Mounting pitches:



Installation diagram for Ex e boxes