



فرست اوتوماشن

Operation Head

Series CZ4000



Prodcuts Features

- Many different operation heads are available.
- P1 Pushbutton operation heads/P2 double pushbutton operation heads, labels with different markings are optional
- P4□ (Φ37mm) /P5□ (Φ55mm) Mushroom operation heads
- P3E (Φ40mm) E-stop push-pulling operation heads (red/yellow)
- P6□ (Φ40mm) /P7□ (Φ55mm) (E-stop) Twist to release operation heads (black, red/yellow)
- Y2□ (E-stop) Key-releasing operation heads (red/yellow, red/black)
- Y3~Y8 Key switch operation heads (lock/spring return, key retractable/ key not retractable, general purpose key/ special key)
- KB□ Switch operation heads Φ39mm (lock/spring return)
- S□ Switch operation heads Φ61.5mm (lock/spring return)
- H□ Switch operation heads Φ61.5mm specially for H switch modules
- S□, H□ Switch operation heads have padlock hole on different positions. Normal ones are in black, emergency ones are in red/yellow.
- V□6 Explosion-proof toggle switch operation head (black, red/yellow)
- L□ Operation heads of signal lamp (five colors)
- P□ Operation heads of signal lamp with button (five colors)
- DW Potentiometer operation heads
- Meters protective cover (M1 calotte/M2 calotte with label)
- B1 Blanking plug
- Safety latches (board front rail mounting/panel mounting)
- Accessories (label, E-stop pushbutton yellow label, spanner)



فرست اوتوماشن

Operation Head

Series CZ4000



Product Parameter

Product type: Explosion-proof operation head

Certification: CCC IECEX ATEX

Application range (zones): 2G/Gb/zone 1; 2D/Db/zone 21

Min.ambient temperature: -55°C

Max.ambient temperature: +65°C

Degree of protection: IP66

Tighten torque: 2.8 ~ 3.4 N.m (M30×1.5)

Material: polyamide





فرست اوتوماشن

Operation Head

Series CZ4000



Contact

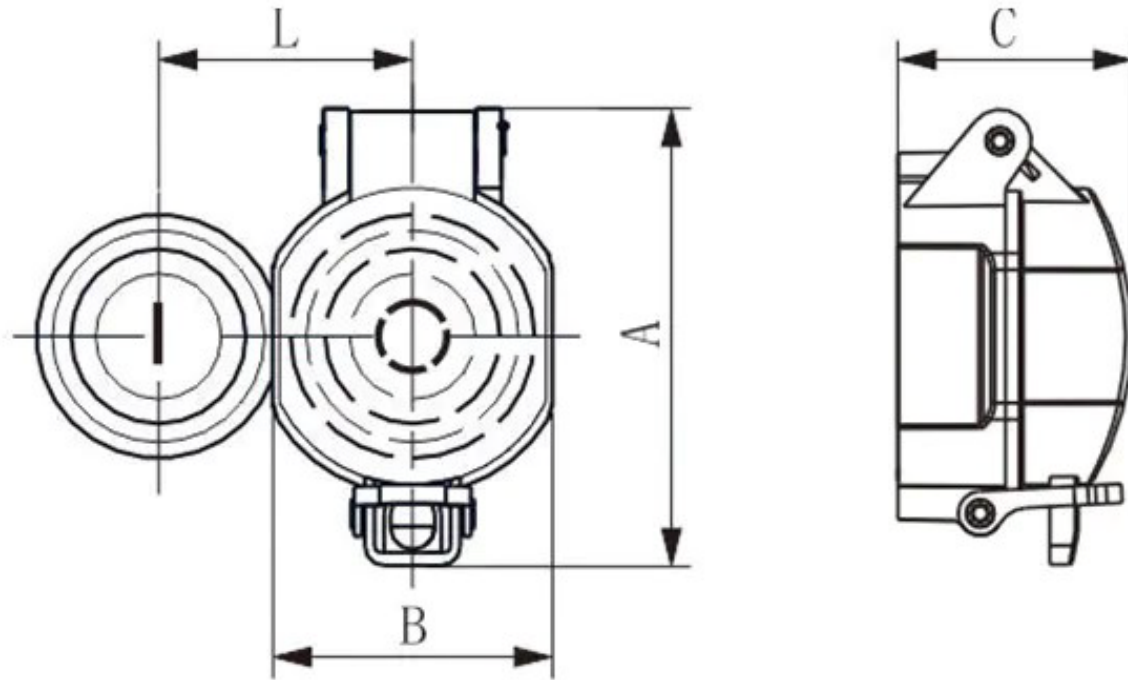
info@first-automation.com.eg/ • 01101619222 – 01100200886 • <https://first-automation.com.eg/>



فرست اوتوماشن

Operation Head

Series CZ4000



单位 : mm

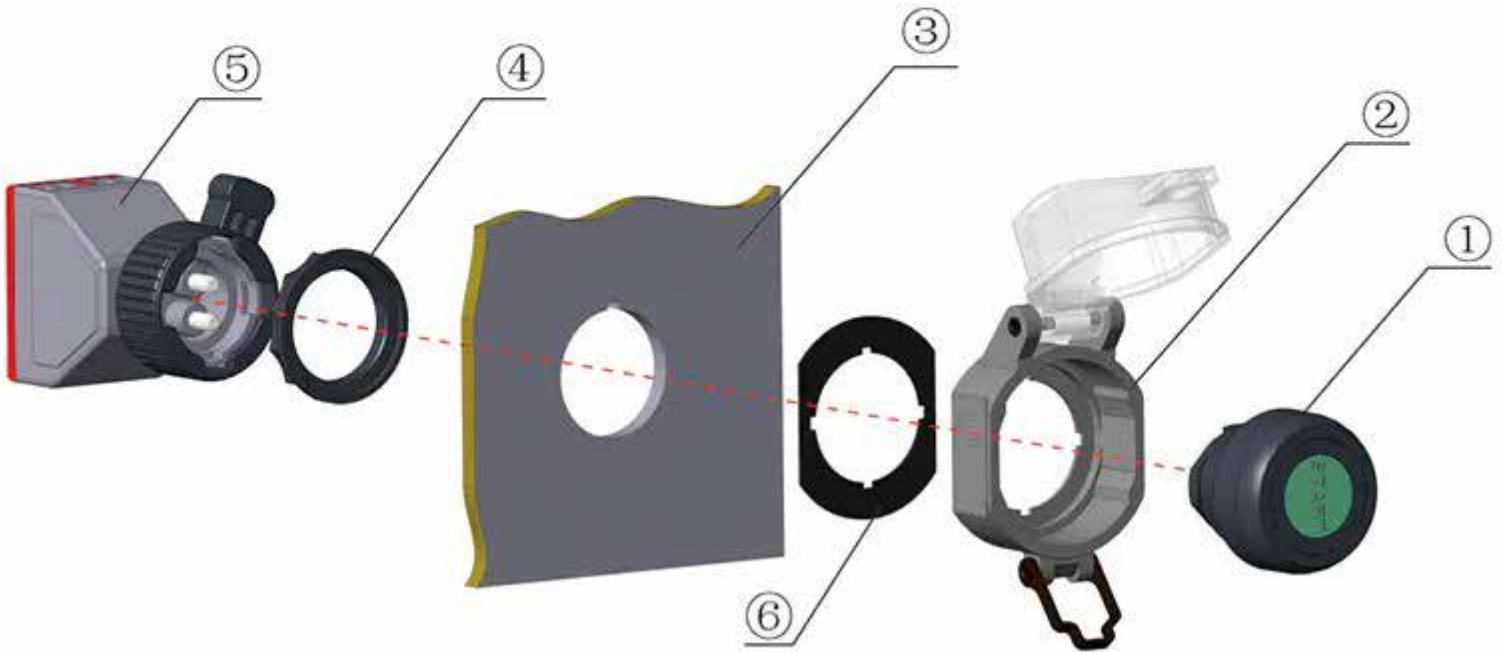
型号 Type	A	B	C	L
4019/3-6	72	44	37	≥ 40
4019/1-6	70.2	58	50	≥ 50
4019/4-6	72	44	37	≥ 40
4019/2-6	82	44	45	≥ 40
4019/5	78.4	40.7	27	≥ 40



فرست اوتوماشن

Operation Head

Series CZ4000



板后型模块的安全锁扣由操作头直接拧在面板上，由锁紧螺母固定。

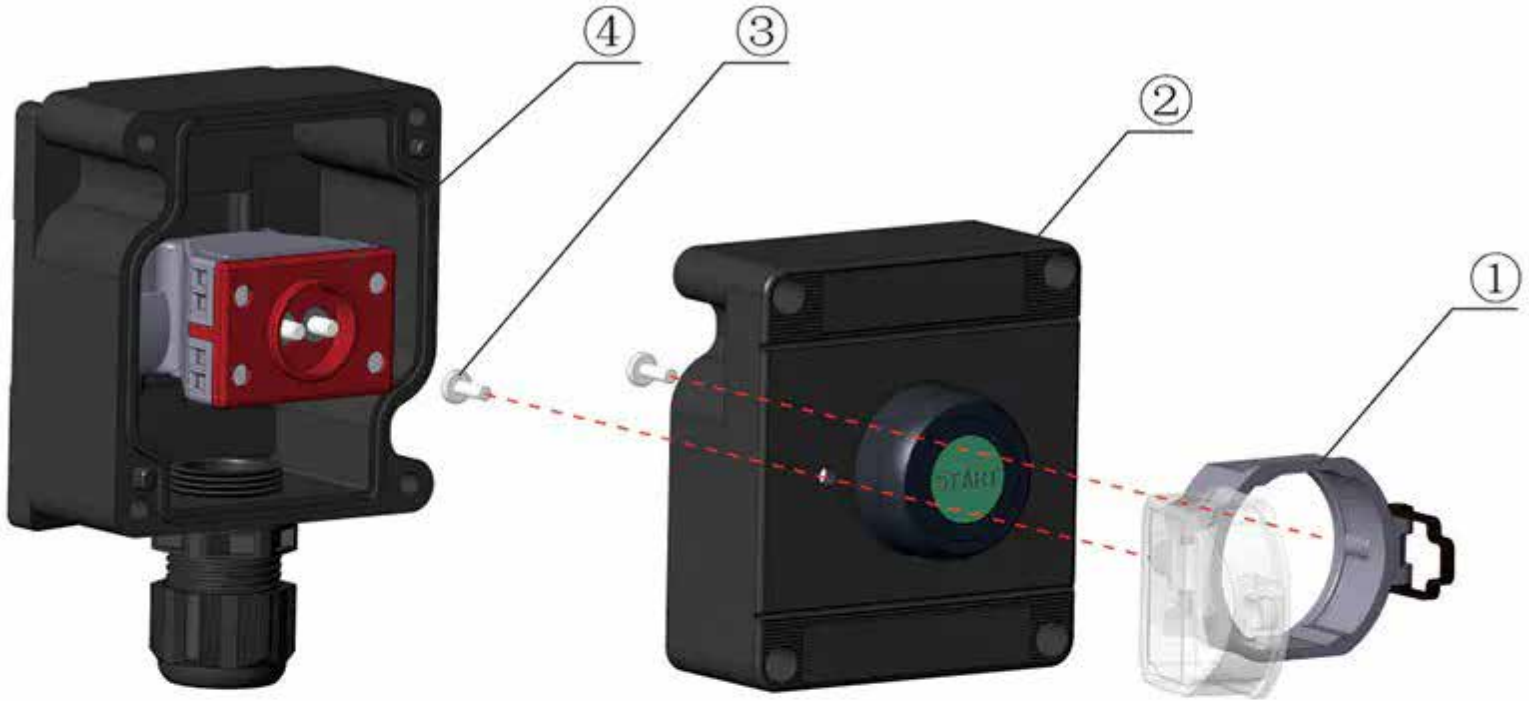
- ① 操作头
- ② 安全锁扣
- ③ 面板
- ④ 锁紧螺母
- ⑤ 板后型模块
- ⑥ 密封垫圈



فرست اوتوماشن

Operation Head

Series CZ4000



板前导轨型模块的安全锁扣由螺钉固定在箱盖上，这种设计方式解决了操作头和开关模块之间的接触距离。

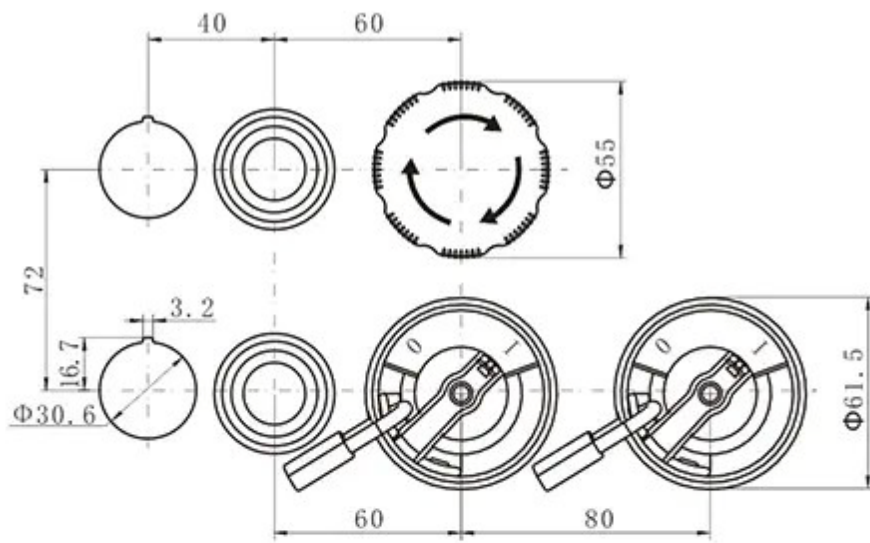
- ① 安全锁扣
- ② 箱盖
- ③ 自攻螺钉
- ④ 板前导轨型模块



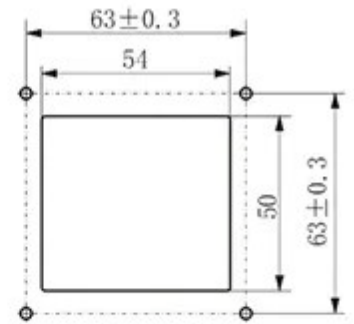
فرست اوتوماشن

Operation Head

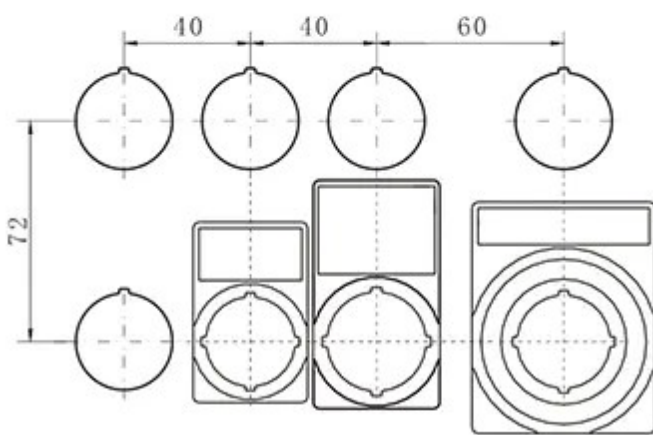
Series CZ4000



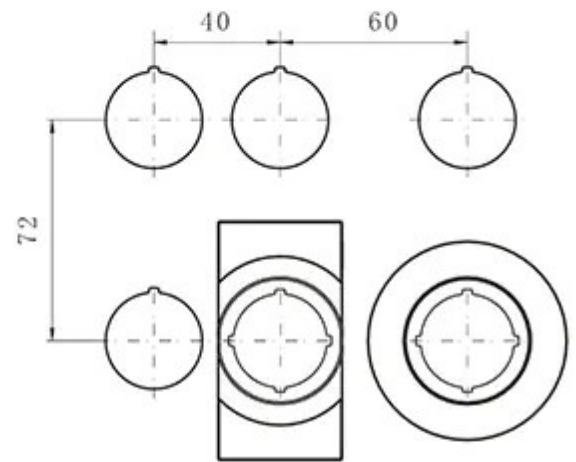
操作头



表框开孔尺寸



标志牌



急停按钮黄色标牌



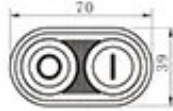
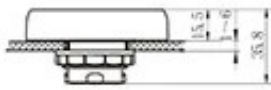
فرست اوتوماشن

Operation Head

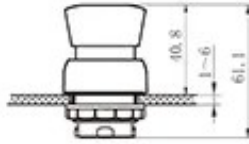
Series CZ4000



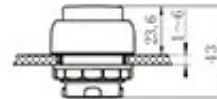
CZ4000-P1



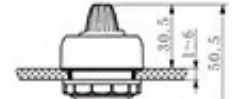
CZ4000-P2



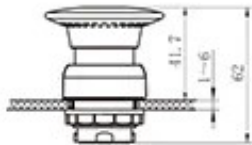
CZ4000-P4



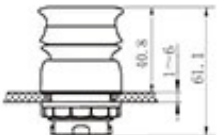
CZ4000-L□



CZ4000-DW



CZ4000-P5□



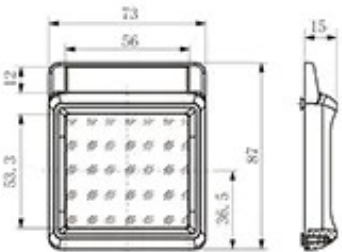
CZ4000-P3E



CZ4000-P6E
CZ4000-P6B



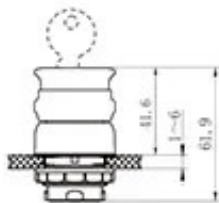
CZ4000-P□



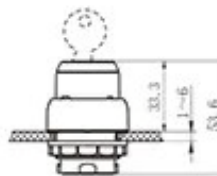
CZ4000-M2



CZ4000-P7E
CZ4000-P7B



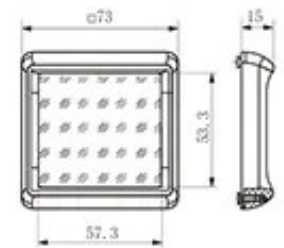
CZ4000-Y2□E
CZ4000-Y2□B



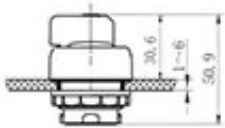
CZ4000-Y3□-Y8□



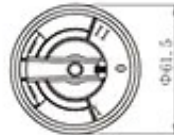
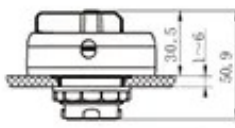
CZ4000-B1



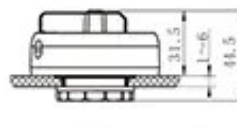
CZ4000-M1



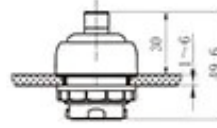
CZ4000-KB4□-KB8□



CZ4000-SE4□-SE8□
CZ4000-SB4□-SB8□



CZ4000-HE□
CZ4000-HB□



CZ4000-VB6□
CZ4000-VE6□

Contact

info@first-automation.com.eg/ • 01101619222 – 01100200886 • https://first-automation.com.eg/



فرست اوتوماشن

Operation Head

Series CZ4000



图样	订购号	图样	订购号	图样	订购号
	CZ4000-P3E		CZ4000-LR		CZ4000-Y31GS10
	CZ4000-P6E		CZ4000-LG		CZ4000-Y32GS10
	CZ4000-P7E		CZ4000-LY		CZ4000-Y61GS01
	CZ4000-Y21E		CZ4000-LB		CZ4000-Y62GS01
	CZ4000-Y22E		CZ4000-LW		CZ4000-Y41GS04
	CZ4000-Y21B		CZ4000-PR		CZ4000-Y42GS04
	CZ4000-Y22B		CZ4000-PG		CZ4000-Y51GS04
	CZ4000-P6B		CZ4000-PY		CZ4000-Y52GS04
	CZ4000-P7B		CZ4000-PB		CZ4000-Y81GS05
	CZ4000-P1□□		CZ4000-PW		CZ4000-Y82GS05
	CZ4000-P2□□		CZ4000-DW1	CZ4000-KB4104	
	CZ4000-P4R□□		CZ4000-DW2	CZ4000-KB4204	
	CZ4000-P4G□□		CZ4000-B1	CZ4000-KB5104	
	CZ4000-P4B□□		CZ4000-VB6101	CZ4000-KB5204	
	CZ4000-P5R□□		CZ4000-VB6201	CZ4000-KB6101	
	CZ4000-P5G□□		CZ4000-VB6102	CZ4000-KB6201	
	CZ4000-P5B□□		CZ4000-VB6202	CZ4000-KB8105	
	CZ4000-HE3151		CZ4000-M1	CZ4000-KB8205	
	CZ4000-HE3251		CZ4000-M2	CZ4000-SE6151	
	CZ4000-HB3101			CZ4000-SE6251	
	CZ4000-HB3201		CZ4000-SB6101		
			CZ4000-SB6201		
			CZ4000-SB4104		
			CZ4000-SB4204		
			CZ4000-SB5104		
			CZ4000-SB5204		
			CZ4000-SB8105		
			CZ4000-SB8205		
			CZ4000-HB4104		
			CZ4000-HB4204		

Contact

info@first-automation.com.eg/ • 01101619222 – 01100200886 • https://first-automation.com.eg/







فرست اوتوماشن

Operation Head

Series CZ4000



Accessories

	<p>Safety Latch (for board front mounting rail type) Used for P1 push button and K□ switch operation head CZ4000-4019/3-6</p>
	<p>Safety Latch (For board front mounting rail type) Used for P3, P4, P6 push button operation head CZ4000-4019/1-6</p>
	<p>Safety Latch (For panel mounting) Used for P1 push button and K□ switch operation head CZ4000-4019/3-7</p>
	<p>Safety Latch (For panel mounting) Used for P3, P4, P6 push button operation head CZ4000-4019/1-7</p>







فرست اوتوماشن

Operation Head

Series CZ4000



Accessories

	<p>Constant pressure type safety latch (For board front mounting rail type) Used for P1 push button operation head CZ4000-4019/4-6</p>
	<p>Safety Latch (For board front mounting rail type) Used for P3, P6 push button operation head CZ4000-4019/2-6</p>
	<p>Constant pressure type safety latch (For panel mounting) Used for P1 push button operation head CZ4000-4019/4-7</p>
	<p>Safety Latch (For panel mounting) Used for P3, P6 push button operation head CZ4000-4019/2-7</p>



فرست اوتوماشن

Operation Head

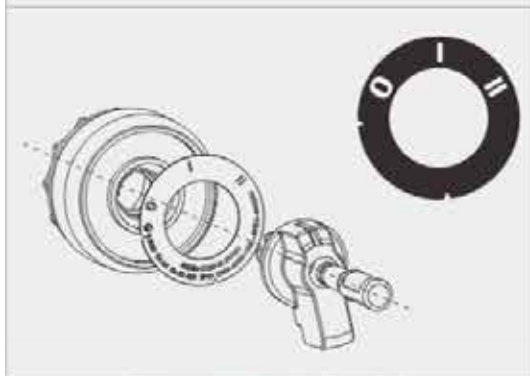
Series CZ4000



Accessories



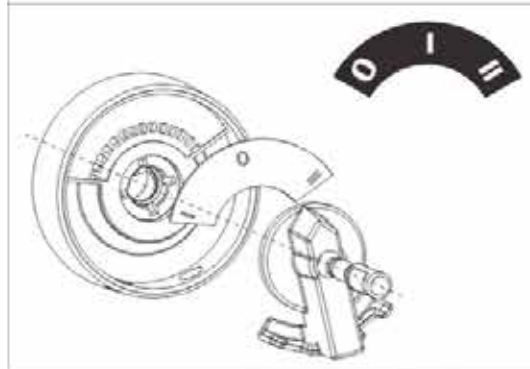
Safety Latch
Used for P2 double push button
operation head
CZ4000-4019/5



Switch label
K000-□



Push button label
P000-□



Switch label
S000-□



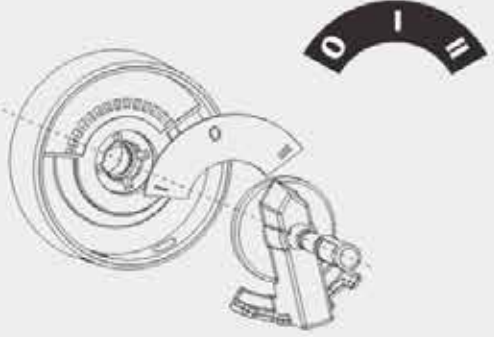


فرست اوتوماشن

Operation Head

Series CZ4000



Accessories

	<p>4-pole switch labe H000-□</p>
	<p>For label of $\Phi 39$mm, laser markings in 1-2 lines CZ4000-4031/1</p>
	<p>Switch labe of key switch Y000-□</p>
	<p>For label of $\Phi 39$mm, laser markings in 2-3 lines CZ4000-4031/6</p>









فرست اوتوماشن

Operation Head

Series CZ4000



Accessories

	<p>For label of $\Phi 39\text{mm}$, laser markings in 1-2 lines CZ4000-4031/4</p>	
	<p>Luminous label for operation head $\Phi 39\text{mm}$ CZ4000-4003/30</p>	
		<p>Yellow labels for E-stop pushbuttons are used for operation heads of $\Phi 40\text{mm}$ CZ4000-4003/20-6 CZ4000-4003/20-7</p>
		<p>Yellow labels for E-stop pushbuttons are used for operation heads of $\Phi 40\text{mm}/\Phi 55\text{mm}$ CZ4000-4003/10-6 CZ4000-4003/10-7</p>




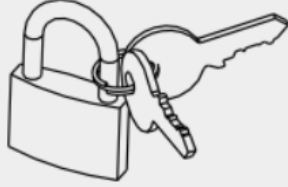

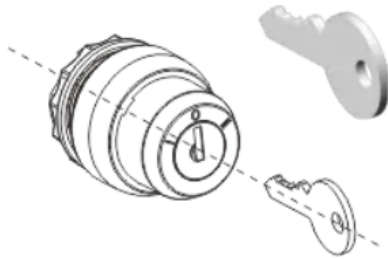
فرست اوتوماشن

Operation Head

Series CZ4000



Accessories

	Spanners are used to tighten plastic nuts M30×1.5 4000-4006
	Brass padlock
	Panel mounting bracket for H 4-pole switch 4011
	Spare key is general-purpose Y001-G01