



فرست اوتوماشن

Light Fittings

Series CZ0873/1 , CZ0874/1



Prodcuts Features

- It is energy-saving and environmental protection which the power consumption is only 19% of the same brightness of incandescent lamp.
- It is long life and maintenance-free which the service life is up to 50000 hours and the maintenance-free of long term.
- There is a feature of good electromagnetic compatibility and it does not cause interference to the system power grid.
- It is not influenced by the voltage fluctuations and can be operated in the wide voltage range of AC100 ~ 240V.
- There is a good performance of vibration due to the LED is the solid-state light source.
- The highest class of flameproof is up to IIC.
- It is convenient to be mounted and maintained.
- The degree of protection is up to IP 66.
- International IECEx Approval, Europe union ATEX Approval.



فرست اوتوماشن

Light Fittings

Series CZ0873/1 , CZ0874/1



Product Parameter

Product type:	LED Explosion-proof light fittings
Certification:	CCC IECEX ATEX
Application range (zones):	2G/Gb/zone 1; 2D/Db/zone 21
Min.ambient temperature:	-40°C
Max.ambient temperature:	+55°C
Degree of protection:	IP66
Rated voltage:	100 ~ 240V AC 50/60Hz

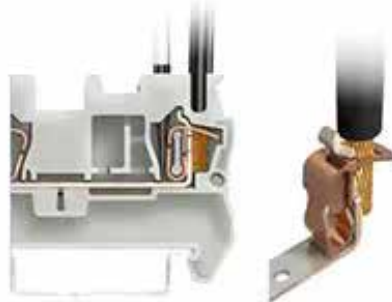




فرست اوتوماشن

Light Fittings

Series CZ0873 /1 , CZ0874 /1



It is easier to be wired by cage type terminal which is certified internationally.



Explosion-proof platform light fittings
C-90°



Explosion-proof platform light fittings
D-25°



Bracket type lamps for ceiling mounting



Bracket type lamps with bracket multiple
angle adjustment



Bracket type lamps with chain



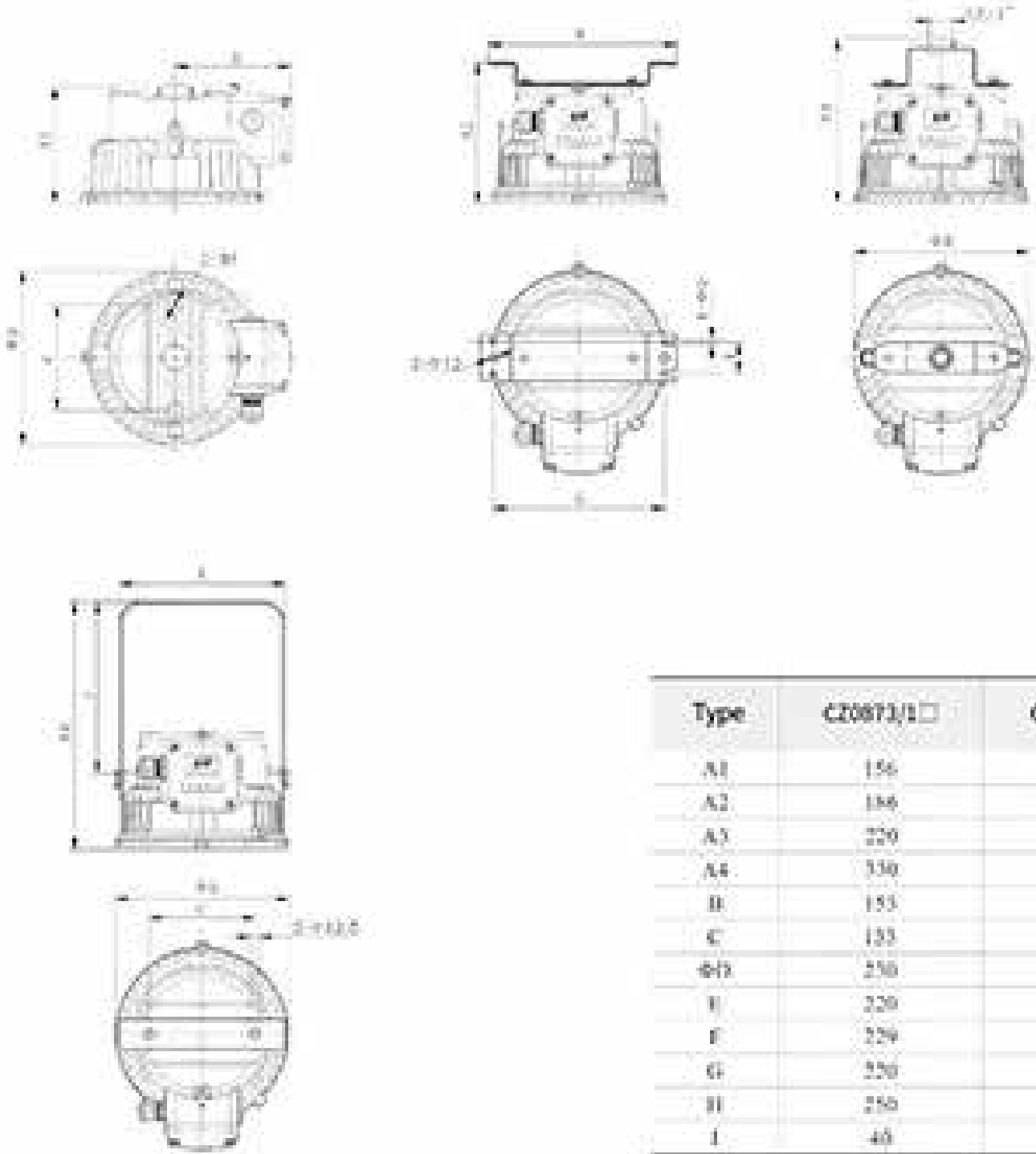
Wall type lamp



فرست اوتوماشن

Light Fittings

Series CZ0873/1 , CZ0874/1



Unit: mm

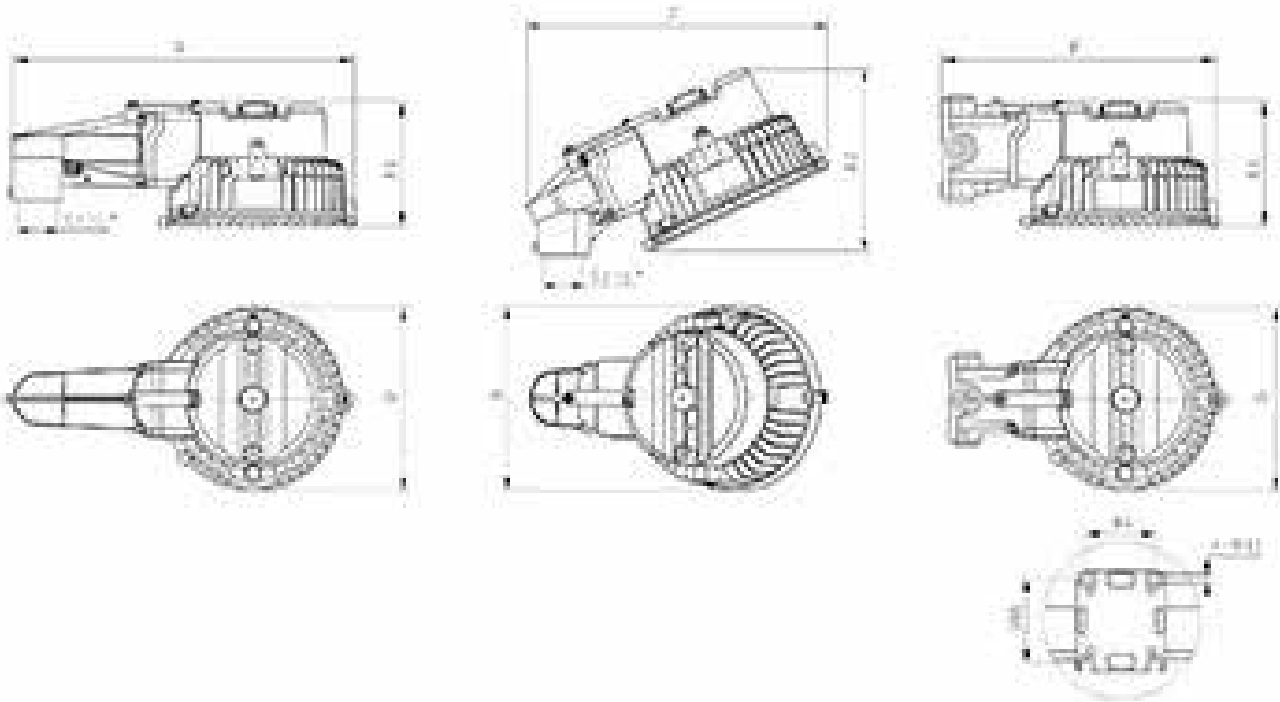
Type	CZ0873/1 □	CZ0874/1 □
A1	156	160
A2	156	190
A3	220	223
A4	330	368
B	153	180
C	153	160
D13	230	230
F	220	268
F	224	265
G	220	240
H	210	270
I	40	40



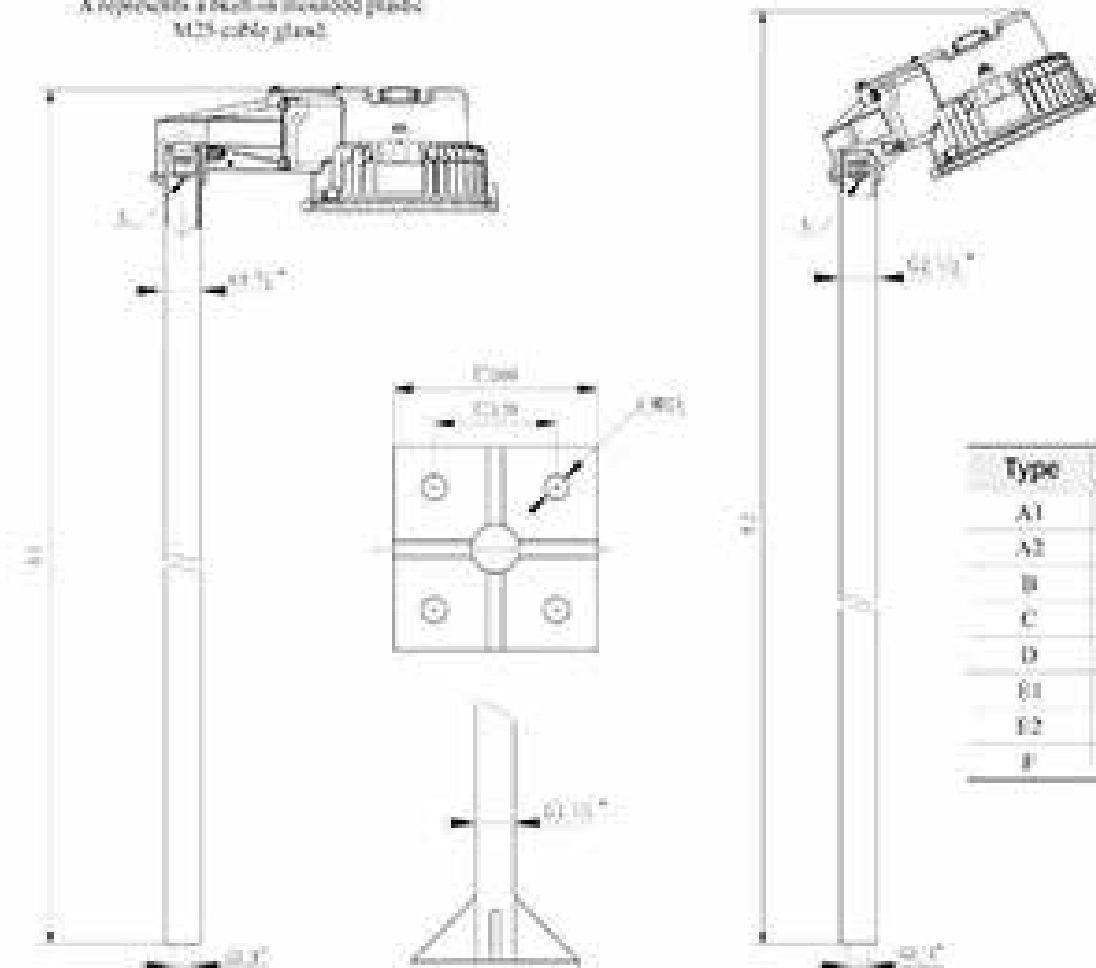
فرست اوتوماشن

Light Fittings

Series CZ0873/1, CZ0874/1



A represents a built-in moulded plastic
M25 cable gland



C – Lamp cap mounted in the angle of 90° (Panic type)

Flange type

D – Lamp cap mounted in the angle of 25° (Panic type)

Unit: mm

Type	CZ0873/1	CZ0874/1
A1	156	160
A2	225	253
B	415	485
C	370	415
D	290	340
D1	2470	2470
D2	2940	2620
F	272	377







فرست اوتوماشن

Light Fittings

Series CZ0873/1 , CZ0874/1



Illustration	Order No.
 B	CZ0873/1□-LED30W-□-B+□
 C	CZ0874/1□-LED45W-□-B+□
 D	CZ0874/1□-LED45W-□-B+□
 E	CZ0874/1□-LED60W-□-B+□



فرست اوتوماشن

Light Fittings

Series CZ0873 /1 , CZ0874 /1



Optional Ex components



| CZ0220 Series Plastic stopping plugs, the reducer



| CZ0221 Metal cable glands



| CZ0220 Series Plastic cable glands, stopping plugs



| CZ0226 Increased safety cable glands



| CZ0527, CZ1725/27 Increased safety breathing, drainage valve



| CZ0227 Increased safety metal cable glands



| CZ1725/1C Metal cable glands



| CZ1725/2A Metal cable glands



| CZ1725/3A Metal stopping plug



| CZ1725/1A Metal cable glands



| CZ1725/4A The reducer



| CZ1725/1B Metal cable glands



فرست اوتوماشن

Light Fittings

Series CZ0873/1 , CZ0874/1



Accessories



D8722/1, D8722/2

Ceiling bracket

D8722/1: Accessories for bracket type lamp, for CZ0873/4

D8722/2: Accessories for bracket type lamp, for CZ0874/4



D8702/1, D8702/2

Mounting bracket

of pendant type

D8702/1: Accessories for bracket type lamp, for CZ0873/4

D8702/2: Accessories for bracket type lamp, for CZ0874/4



D623

Chain type accessories(500mm)

Accessories for bracket type lamp, M8 bolt, made from steel with zinc-coated surface



فرست اوتوماشن

Light Fittings

Series CZ0873/1 , CZ0874/1



Accessories



D8701/1, D8701/2

Mounting bracket

D8701/1: Accessories for bracket type lamp, for CZ0873/4

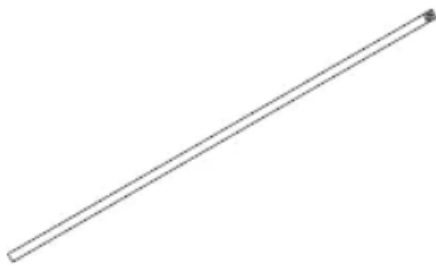
D8701/2: Accessories for bracket type lamp, for CZ0874/4



D732

G3/4"-300mm Straight pipe

Accessories for bracket type, galvanized steel pipe material and powder coated surface



D8725

Lamp pole of fence type

Accessories for platform type lamp, G1 1/2 " galvanized steel pipe material and powder coated surface



D8726

Accessories for platform type lamp, G1 1/2 " galvanized steel pipe material and powder coated surface